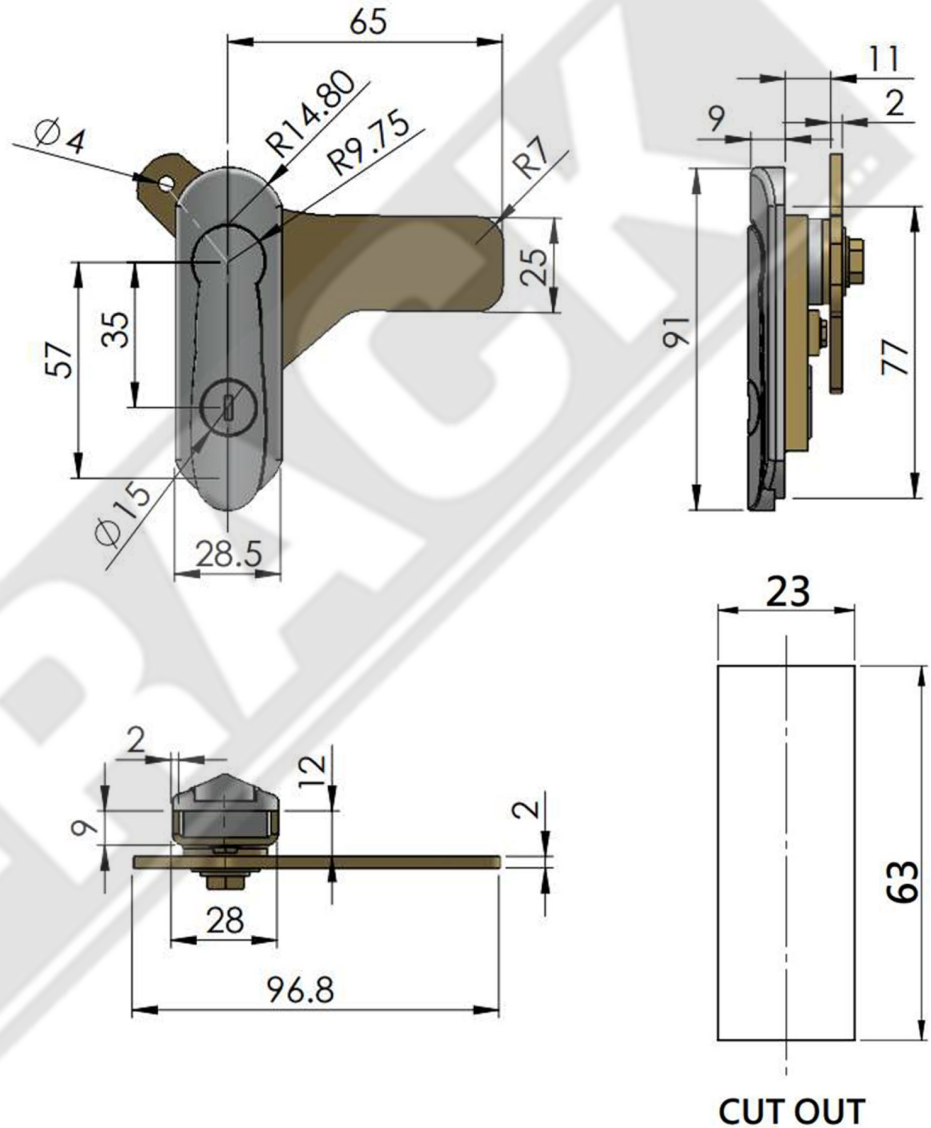
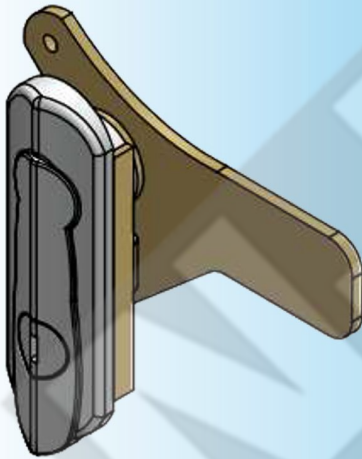


For Product Step File or 3D Model Send a Request Mail To info@nrack.com

Photo View



3D Rendered View



**AB 402-3-1**

- Material: Zinc Die Casting Body, Steel - Cam.
- Finish: Grey Chrome Plating.